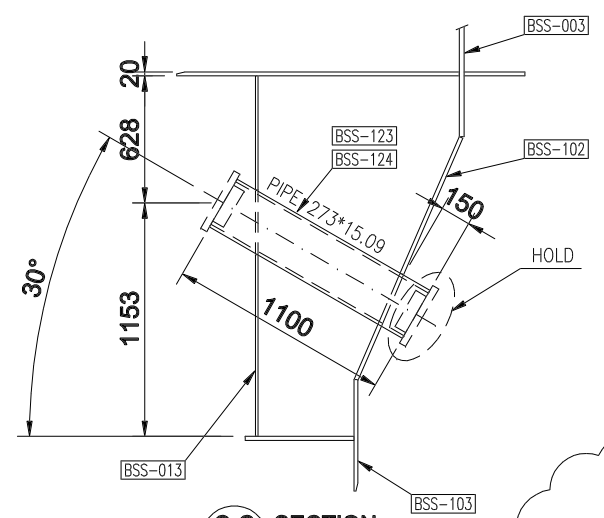
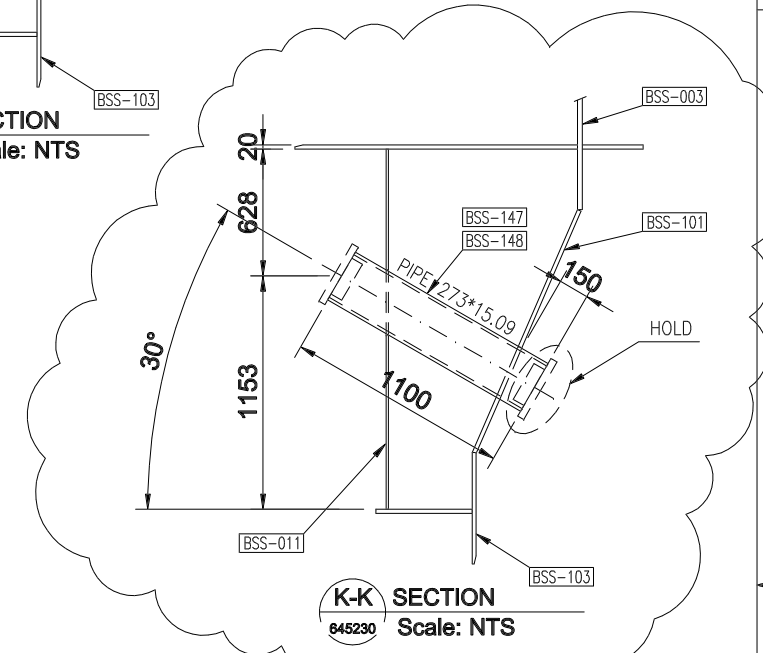


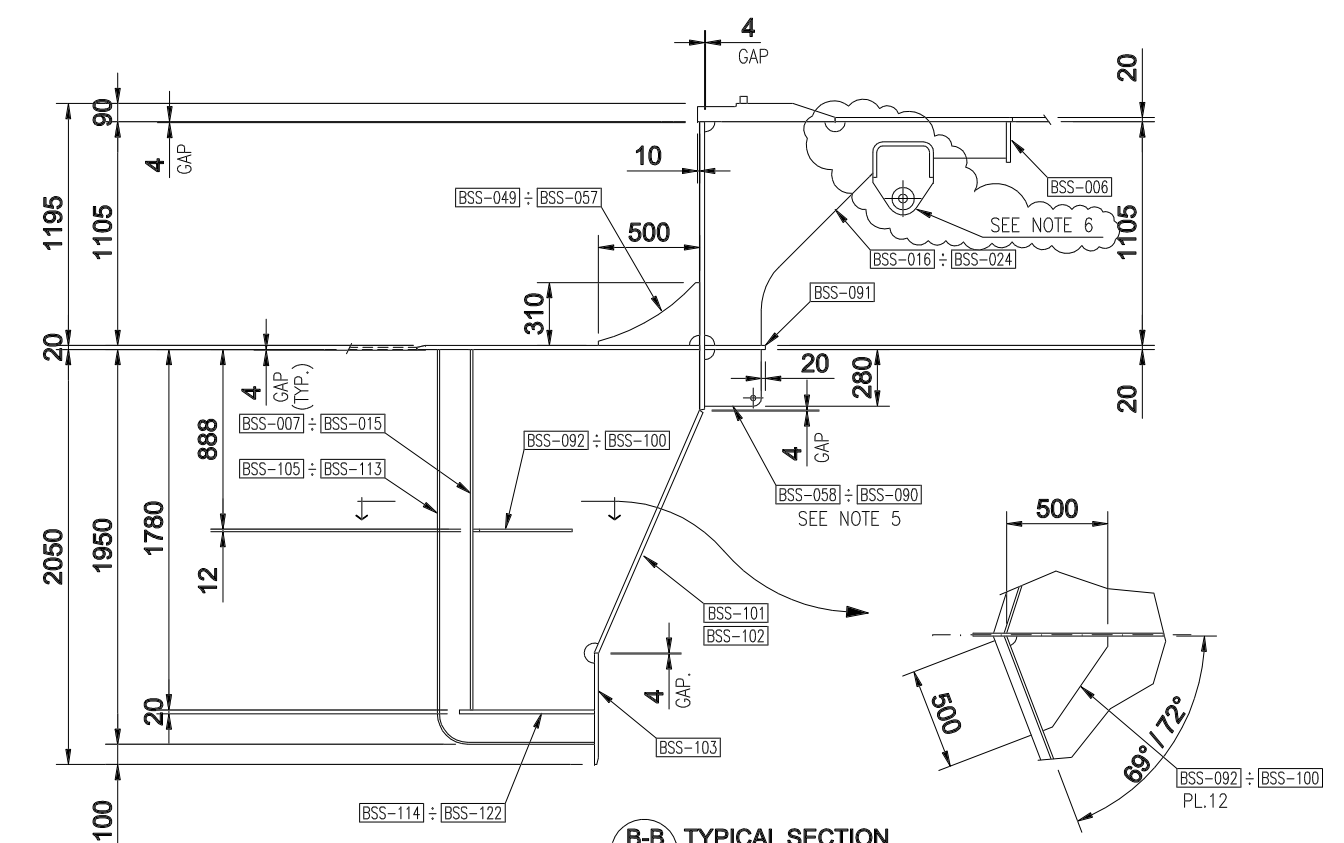
A-A SECTION
645230 Scale: NTS



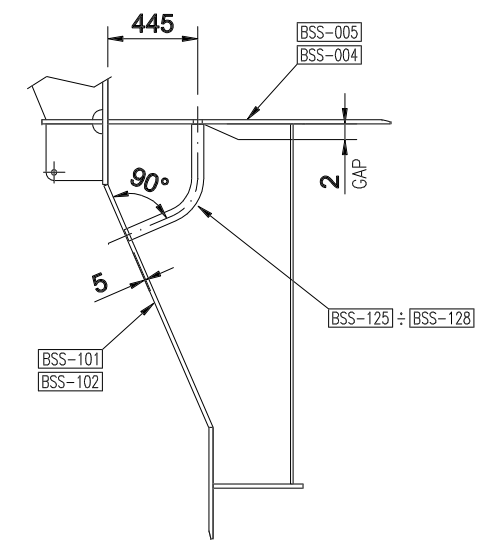
C-C SECTION
645230 Scale: NTS



K-K SECTION
645230 Scale: NTS



B-B TYPICAL SECTION
645230 Scale: NTS



D-D SECTION
645230 Scale: NTS

NOTES

- 1 - ALL DIMENSIONS ARE IN MILLIMETRES U.N.O.
- 2 - ALL ELEVATIONS ARE REFERRED TO MEAN LOW WATER (M.L.W.) ± 0.00 m.
- 3 - FOR TOP VIEW SEE DWGS NG-USN-UF-851-645230
- 4 - FOR WELDING MAPS SEE DWGS NG-USN-UF-851-645235
- 5 - SWL 4.75T - DESIGNED FOR CROSBY SHACKLE G2130 (OR EQUIVALENT)
- 6 - SWL 10T - DESIGNED FOR CROSBY SHACKLE G2130 (OR EQUIVALENT)

REFERENCE DRAWING	DRAWING NUMBER
BEARING SUPPORT STRUCTURE	NG-USN-UF-816-640226 REV 1
BEARING SUPPORT STRUCTURE	NG-USN-UF-816-640227 REV 1
BEARING SUPPORT STRUCTURE	NG-USN-UF-816-640228 REV 1

Revision	Date	Status	Revision memo	Issued by	Checked by	Approved by
02	15-FEB-2010	AFC	Approved for construction	RVT	LONOKA	D.PENTA
01	30-JEN-2010	AFC	Approved for construction	RVT	LONOKA	D.PENTA
00	20-JEN-2010	IFC	Issued for construction	RVT	LONOKA	D.PENTA
A	15-JEN-2010	IDC	Issue for Interdiscipline check	RVT	LONOKA	D.PENTA

TOTAL E & P NIGERIA LIMITED
USAN DEEPWATER DEVELOPMENT PROJECT

This document is the property of TOTAL. It must not be stored, reproduced or disclosed to other without written authorization from the Company. This document has been generated by an Electronic Document Management System. When printed it is considered as a for information only copy. The controlled copy is the screen version and it is the holder's responsibility that he/she holds the latest valid version.

SCNL YARD
SYSTEM O - DEEPWATER BUOY
SUBASSEMBLY SUB-103 DETAIL 3/5

Doc Type :	DRW	Syst/S-Syst :	-	Discipline :	STR	App Class :	0	Electronic Filename :	
COMPANY Document N°	NG-USN-UF-851-645234			REV : 02	Scale :	NTS			
Contractor Document N°	NG-USN-UF-851-645234			Size : A3	Sheet :	1 of 1			